

ANDERSEN 5TH WHEEL HITCH CONFIGURATION CHART

• • This guide is accurate for most newer configurations. However, we do NOT guarantee that the indicated hitches will work in all setups. • •

Contact your Andersen Rep or Customer Service if you have questions about a particular setup.

	Solid Pin Box		Moveable Pin Box					Bed Size				Bed Configuration		
	Under 30"	Over 30"	MORryde	Air Bag style	Rota-Flex	Airbourne	Pivoting style	5.5'	6.5'	8'	Flatbed**	Industry Standard Rails	Gooseneck Ball	Puck System

U5 - RAIL

3200 Ultimate 5th Wheel Connection (Rail Mount)

	YES	YES	YES w/ MORryde #RPB710-009 ²	YES	YES w/ Lock-Out kit (part 3247)	YES	YES If Locked Straight	YES No on 2020 GM Trucks ¹	YES	YES	NO	YES	NO	With Rail Adapter*
--	-----	-----	---	-----	---------------------------------------	-----	------------------------------	---	-----	-----	----	-----	----	-----------------------

U5 - GOOSENECK

3220 Ultimate 5th Wheel Connection (Gooseneck Mount)

	YES	YES	YES w/ MORryde #RPB710-009 ²	YES	YES w/ Lock-Out kit (part 3247)	YES	YES If Locked Straight	YES **No on 2020 GM Trucks ¹	YES	YES	NO	NO	On 2-5/16" Ball (see tube chart)	On Bed Shaft (part 3219) or 2-5/16" Ball (see tube chart)
--	-----	-----	---	-----	---------------------------------------	-----	------------------------------	---	-----	-----	----	----	--	---

3220-TBX Ultimate 5th Wheel Connection (Gooseneck Mount - toolbox version)

Toolbox Version (≈ 3.5" base offset for use in bed with large fuel tank or toolbox)	YES	YES	YES w/ MORryde #RPB710-009 ²	YES	YES w/ Lock-Out kit (part 3247)	YES	YES If Locked Straight	YES **No on 2020 GM Trucks ¹	YES	YES	NO	NO	On 2-5/16" Ball (see tube chart)	On Bed Shaft (part 3219) or 2-5/16" Ball (see tube chart)
---	-----	-----	---	-----	---------------------------------------	-----	------------------------------	---	-----	-----	----	----	--	---

3221 Ultimate 5th Wheel Connection (Gooseneck Mount for flatbed trucks)

U5 - FLATBED

	YES	YES	YES w/ MORryde #RPB710-009 ²	YES	YES w/ Lock-Out kit (part 3247)	YES	YES If Locked Straight	NO	NO	NO	YES**	NO	On 2-5/16" Ball (see tube chart)	NO
--	-----	-----	---	-----	---------------------------------------	-----	------------------------------	----	----	----	-------	----	--	----

3221-TBX Ultimate 5th Wheel Connection (Gooseneck Mount for flatbed trucks - toolbox version)

Toolbox Version (≈ 3.5" base offset for use in bed with large fuel tank or toolbox)	YES	YES	YES w/ MORryde #RPB710-009 ²	YES	YES w/ Lock-Out kit (part 3247)	YES	YES If Locked Straight	NO	NO	NO	YES**	NO	On 2-5/16" Ball (see tube chart)	NO
---	-----	-----	---	-----	---------------------------------------	-----	------------------------------	----	----	----	-------	----	--	----

3100 Ranch Hitch Adapter - Straight

RANCH HITCH

	YES	YES***	With Adapter*	NO	NO	NO	NO	NO	YES	YES	NO	With Adapter*	On 2-5/16" Ball	On 2-5/16" Ball
--	-----	--------	------------------	----	----	----	----	----	-----	-----	----	------------------	-----------------------	-----------------------

3139 Ranch Hitch Adapter - 8" Offset

	NO Fits Pin Boxes of 22" or less***	NO	With Adapter*	NO	NO	NO	NO	YES	YES	YES	NO	With Adapter*	On 2-5/16" Ball	On 2-5/16" Ball
--	---	----	------------------	----	----	----	----	-----	-----	-----	----	------------------	-----------------------	-----------------------

* Adapters are available from the pinbox or rail manufacturer.

** Works with recessed ball.

*** Gusset recommended.

IMPORTANT: Extra bed support is recommended for 2015-2019 models of Chevy & GMC trucks with no OEM, when a gooseneck mount Ultimate Connection base is used. (Contact us for details 208.523.6460)


- 2020 GM TRUCKS: Due to the build of 2020 Chevy & GM Trucks, the Ultimate Connection may not provide enough clearance. **ALWAYS MEASURE FOR TURNING, TAIL GATE, AND SIDE RAIL CLEARANCE.**
- MORryde Pin Box: This is compatible with all versions of the Ultimate ONLY when installed with MORryde Part #: RPB710-009. This part can be ordered from MORryde or from your local MORryde dealer.

ULTIMATE CONNECTION COUPLER TUBE CHARTS

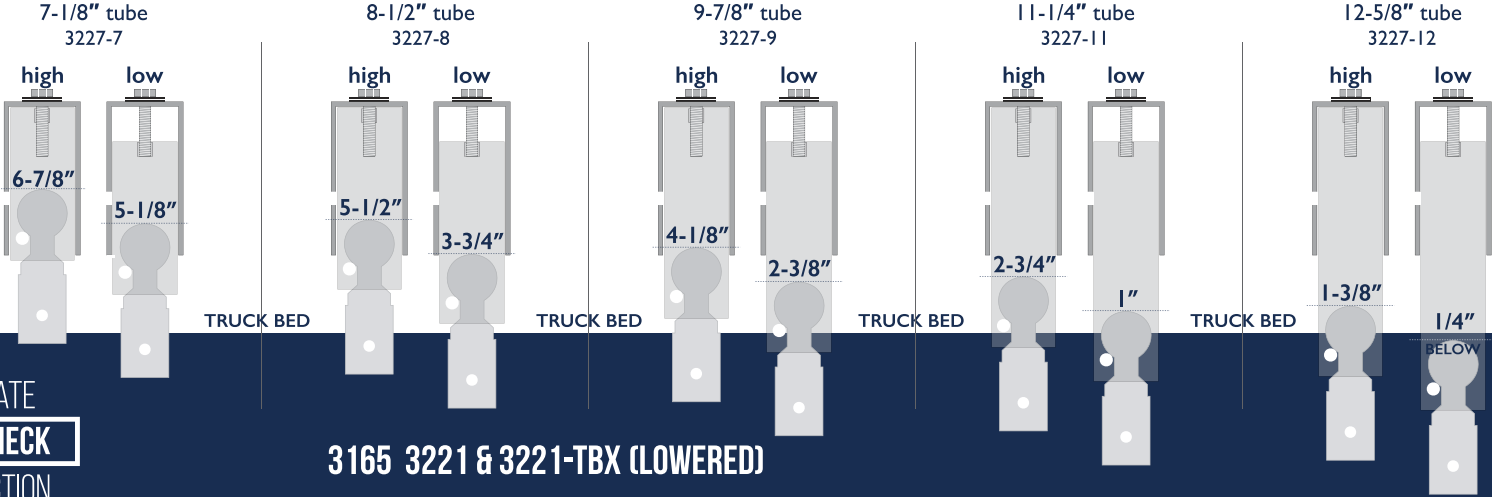
ULTIMATE
5TH WHEEL
 CONNECTION

3220 & 3220-TBX

IMPORTANT:
 Always specify if top of ball is **ABOVE** or **BELOW** truck bed

 If your ball has a flat top, subtract 1/8" from these ball height measurements. (e.g. 3-3/4" becomes 3-5/8")

STANDARD

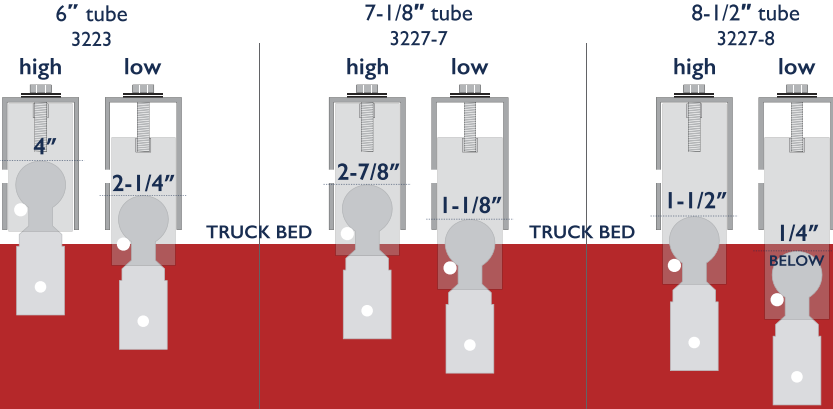


ULTIMATE
5TH WHEEL
 CONNECTION

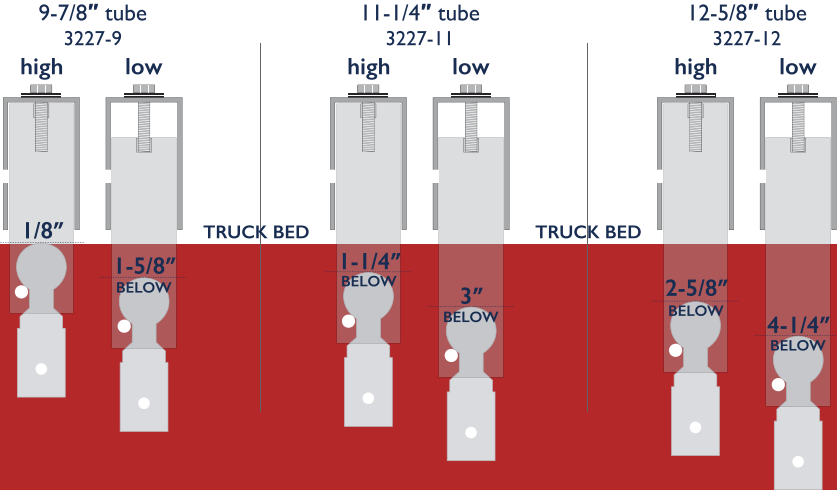
ULTIMATE
GOOSENECK
 CONNECTION

3165 3221 & 3221-TBX (LOWERED)

STANDARD ON 3165



STANDARD ON 3221



• • Extended 13-1/4" tube (3234) is also available — covering balls between 3/4" above the bed to 7/8" below the bed with standard base or recessed balls between 3-1/4" and 4-7/8" below the bed with lowered base.